

The Old Estero Post Office

PATTERN BOOK

8111 Broadway East
Village of Estero



Architectural Façade

South Elevation



Colors and Materials



CLAY
ROOF TILE
SUNBURST



CANVAS AWNING



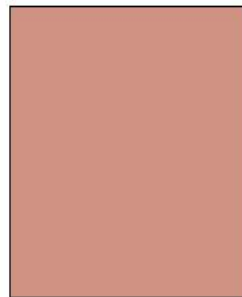
HIGH DENSITY URETHANE
BRACKET
WHITE



GATE, BUFFER WALL &
DUMPSTER ENCLOSURE
BLACK BEAN



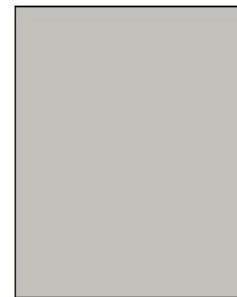
FIRED BRICK
SW-6335



CORAL ISLAND
SW-6332



SUNNY
VERANDA
SW-9017

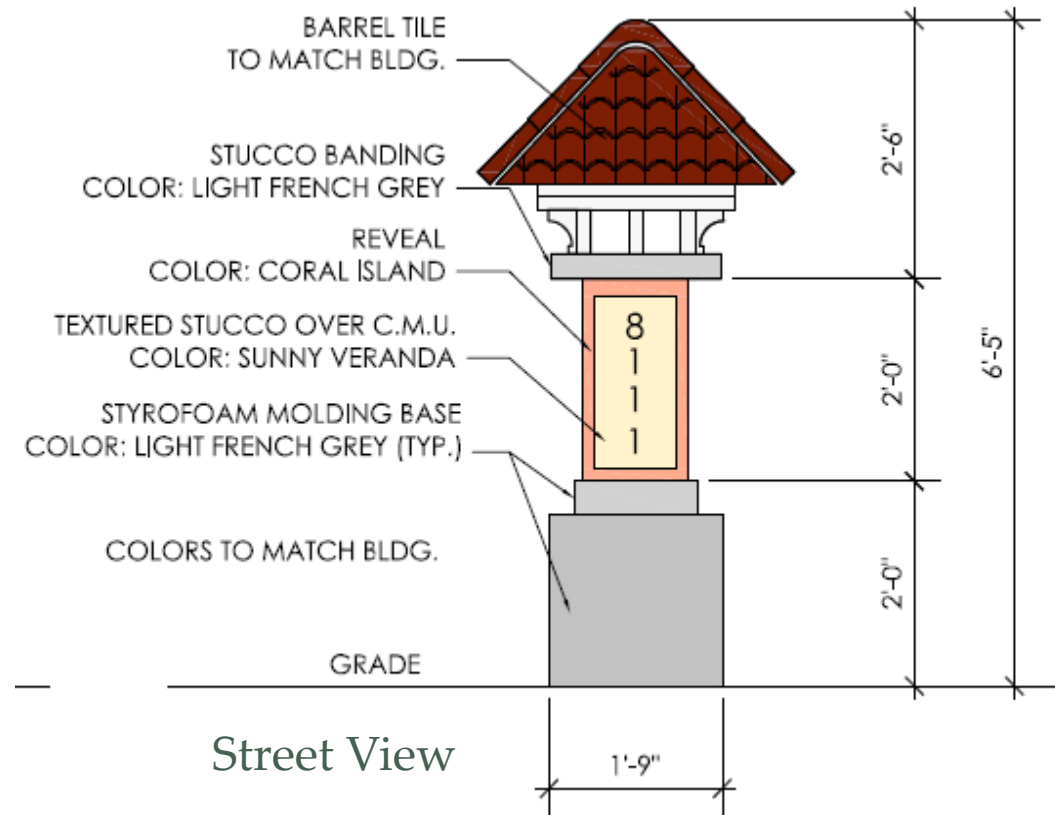
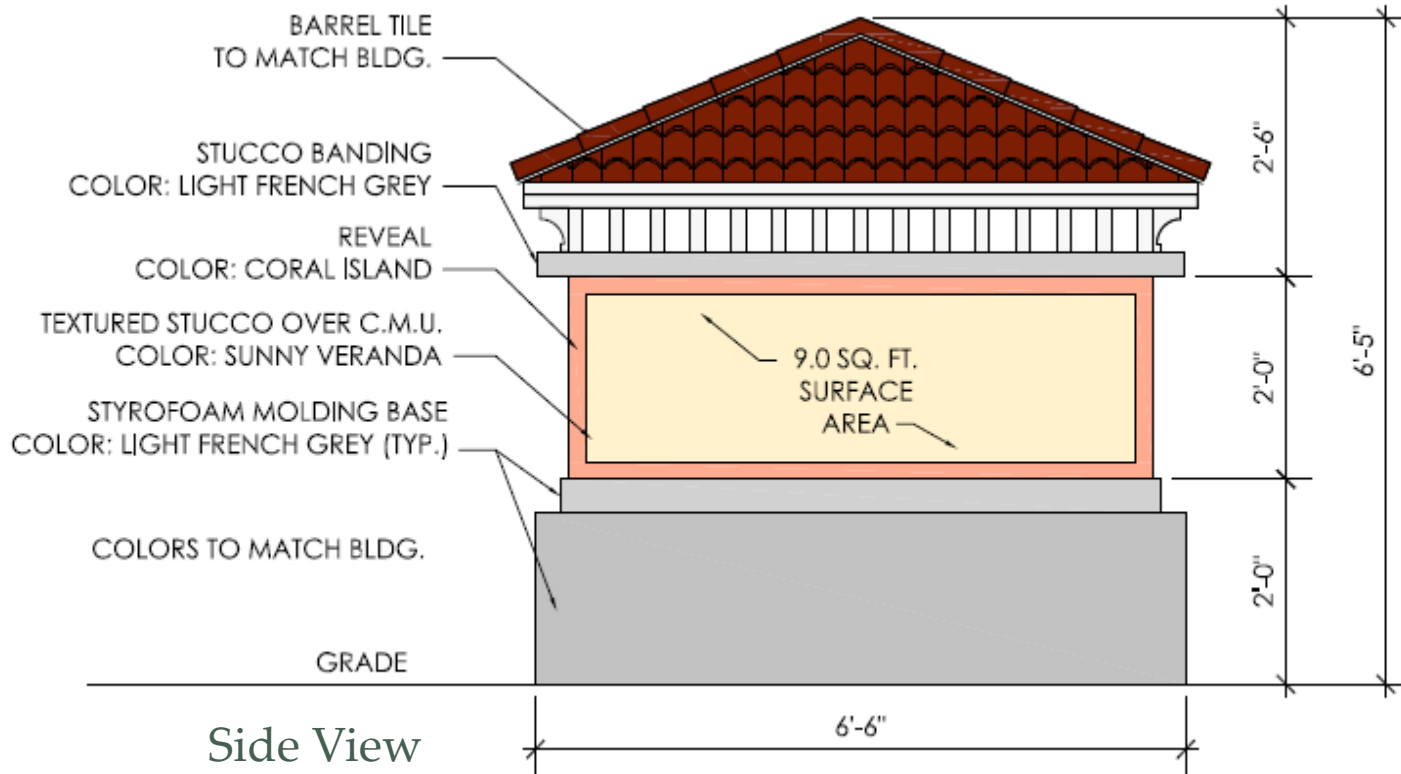


LIGHT FRENCH
GREY
SW-0055

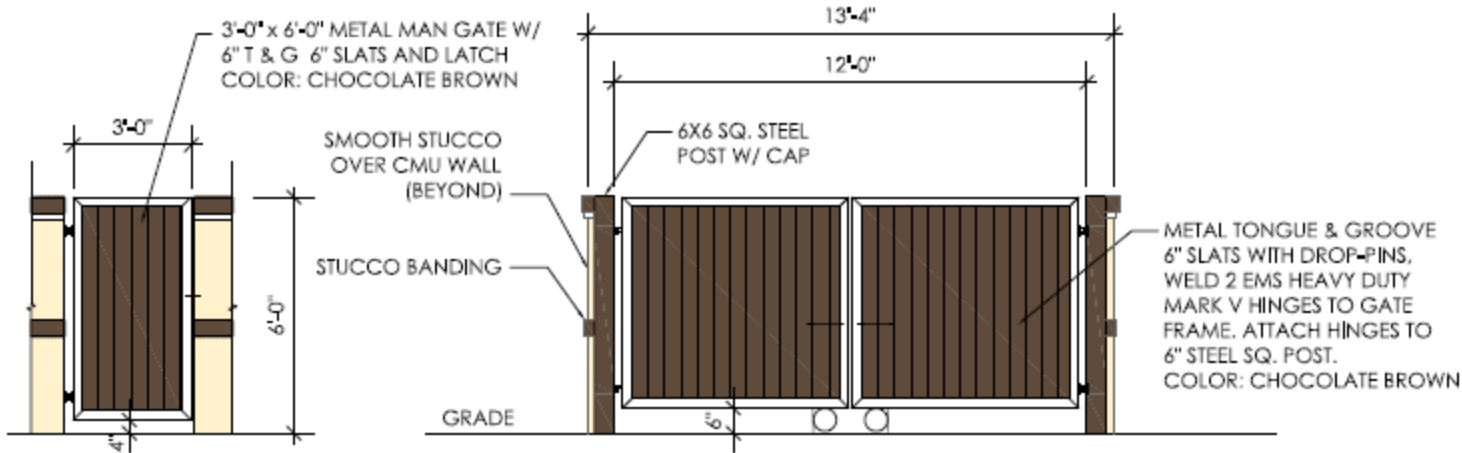


BLACK BEAN
SW-6006

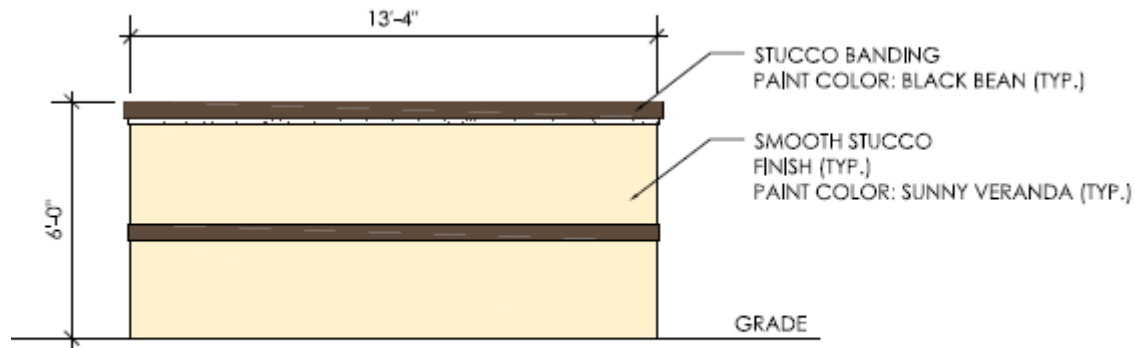
Monument Sign



Lighting & Design Details

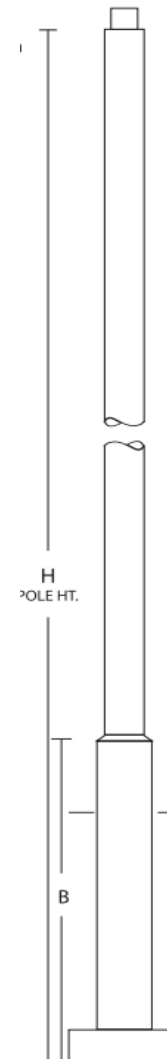


FRONT ELEVATION



REAR ELEVATION

Pacific Lighting
DBRS Series,
Bronze, 16' Height
Above Grade



Pacific Lighting
Series MM
Bronze, Flat Lens